



DEHUMIDIFIER

Use & Care Guide

Questions, problems, missing parts?
Before returning to your retailer, call
our Customer service department at
[1-855-900-1298](tel:1-855-900-1298),
Monday - Thursday, 8 a.m. - 6 p.m.,
EST, Friday, 8 a.m. - 5 p.m., EST.

TABLE OF CONTENTS

DEHUMIDIFIER SAFETY.....	2	TROUBLESHOOTING.....	10
INSTALLATION REQUIREMENTS.....	3	CARE AND CLEANING.....	11
Important Operation Tips.....	4	SPECIFICATIONS.....	12
OPERATING INSTRUCTIONS.....	5	WARRANTY.....	13
USING YOUR DEHUMIDIFIER.....	7		

DEHUMIDIFIER SAFETY

Your safety and the safety of others are very important.

We have provided many important safety messages in this manual and on your appliance. Always read and obey all safety messages.



This symbol alerts you to potential hazards that can kill or hurt you and others.

All safety messages will follow the safety alert symbol and either the word "DANGER" or "WARNING." These words mean:

! DANGER

You can be killed or seriously injured if you don't immediately follow instructions.

! WARNING

You can be killed or seriously injured if you don't follow instructions.

All safety messages will tell you what the potential hazard is, tell you how to reduce the chance of injury, and tell you what can happen if the instructions are not followed.

IMPORTANT SAFETY INSTRUCTIONS

WARNING: To reduce the risk of fire, electric shock, injury or sickness when using your dehumidifier, follow these basic precautions:

- Plug into a grounded 3 prong outlet.
- Do not remove ground prong.
- Do not use an adapter.
- This appliance is not intended for use by persons (including Children) with reduced physical , sensory or mental capabilities, or lack experience and knowledge , unless they have been given supervision or instruction concerning the use of the appliance by a person responsible for their safety.
- Children should be supervised to ensure that they do not play with the appliance.
- Do not use an extension cord.
- Unplug dehumidifier before servicing.
- Do not drink water collected in the water bucket.

SAVE THESE INSTRUCTIONS

CALIFORNIA PROPOSITION 65:

(Applicable to California residents only).

This product contains chemicals know to the State of California to cause cancer and birth defects or other reproductive harm.

Disposing of the unit:

- When you need to dispose of the unit, consult with your local dealer or local recycling center for information on how to dispose of the unit in a environmentally responsible manner.
- Please recycle or dispose of the packaging material for product in an environmentally responsible manner.

INSTALLATION REQUIREMENTS

Electrical Requirements—All Models

⚠ WARNING



Electrical Shock Hazard

- Plug into a grounded 3 prong outlet.
- Do not remove ground prong.
- Do not use an adapter.
- Do not use an extension cord.
- Failure to follow these instructions can result in death, fire, or electrical shock.

The electrical ratings for your dehumidifier are listed on the model and serial number label. The model and serial number label is located on the right-hand side of the dehumidifier cabinet.

Specific electrical requirements are listed below in the electrical requirements section and the product specifications section.

Electrical Requirements



- 115-volt (103.5 min. - 126.5 max.)
- 0-12 amps
- 15-amp time-delay fuse or circuit-breaker
- If there is a “Single Circuit Only” label on the unit, use on a dedicated single-outlet circuit only. If a dedicated single-outlet circuit is not available, then it is the customer’s responsibility to have a single-outlet circuit installed by a qualified electrician.
- If there is no “Single Circuit Only” label on the unit, the unit may be used on any branch circuit of correct voltage and adequate current protection rating.

Recommended Grounding Method

This dehumidifier must be grounded. This dehumidifier is equipped with a power supply cord having a grounded 3-prong plug. To minimize possible shock hazard, the cord must be plugged into a mating, grounded 3-prong outlet, grounded in accordance with all local codes and ordinances. If a mating outlet is not available, it is the customer’s responsibility to have a properly grounded 3-prong outlet installed by a qualified electrical installer. It is the customer’s responsibility:

- To contact a qualified electrical installer.
- To assure that the electrical installation is adequate and in conformance with National Electrical Code, ANSI/NFPA 70 - latest edition, and all local codes and ordinances.

Copies of the standards listed may be obtained from:

National Fire Protection Association
1 Batterymarch Park
Quincy, MA 02269

Installation Instructions

⚠ WARNING

Excessive Weight Hazard

Use two or more people to move and install dehumidifier.

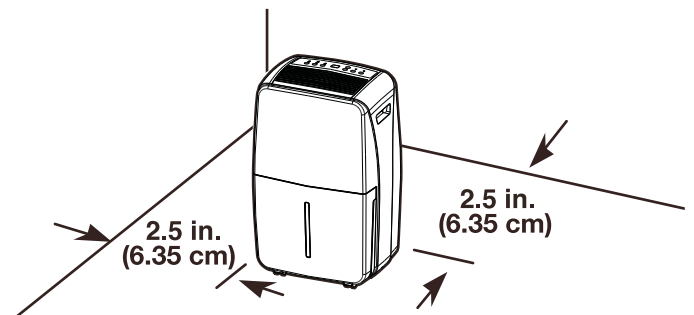
Failure to do so can result in back or other injury.

Remove Packaging Materials:

- Handle the dehumidifier gently while unpacking the unit.
- Remove the carton top and lift the dehumidifier from the base pad.
- Remove tape and glue residue from surfaces before turning on the dehumidifier. Rub a small amount of liquid dish soap over the adhesive with your fingers. Wipe with a damp cloth and dry.
- Do not use sharp instruments, rubbing alcohol, flammable fluids, or abrasive cleaners to remove tape or glue. These products can damage the surface of your dehumidifier.
- Dispose of/recycle packaging materials in an appropriate way.

Placement

This dehumidifier may be placed on a stable, level, and solid floor that will support its weight. Allow at least 2½” (6.35cm) of clearance from walls and furniture. Do not allow the air inlet or outlet to be covered by drapes or curtains, as it will reduce performance.



Important Operation Tips

Before operating: 1. Remove the bucket. 2. Remove the strip of tape that covers the float switch inside the bucket. 3. Return the bucket to the unit.

Before first use: Let unit stand upright for 30 minutes before powering on.

Operation: Unit only reduces humidity when your set humidity is lower than the current room humidity level.



The TIMER MODE: This machine can automatically turn on/off depending on your humidity(%RH) setting. Timer mode is to allow you to switch the unit on/off at your desired time if you so desire.

When unit is operating, it displays the current humidity. Press the TIMER button to set the machine to turn off automatically, as per the below timer settings table. Timer " off " light will be on, 5 seconds after displaying the timer, the display will change back to current room humidity and confirm the set timer.

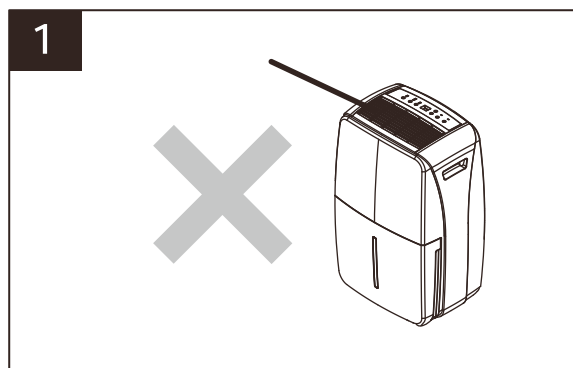
When unit is off, press the TIMER button to set the machine to turn on automatically, as per the below timer settings table. Timer " on " light will be on, 5 seconds after displaying the timer, the display will display to turn on time and confirm the set timer.

TIMER SETTING → 4 hours → 8 hours → 12 hours → Cancel Timer Setting]
TABLE:

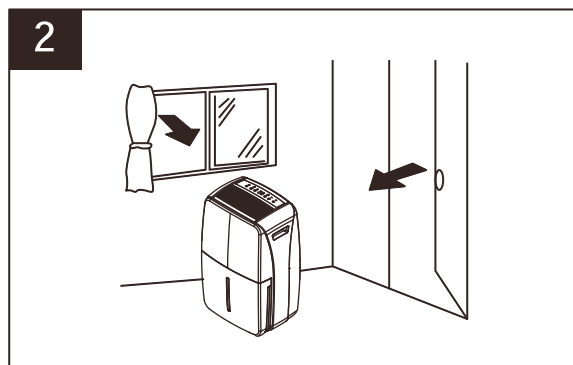
For best performance this unit should operate between 41°F (5°C) and 89°F (32°C)

OPERATING INSTRUCTIONS

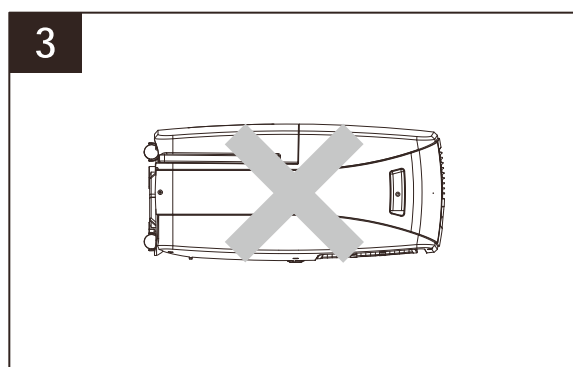
1. Do not drop objects in to the air discharge openings of the unit, you may cause damage to the unit.



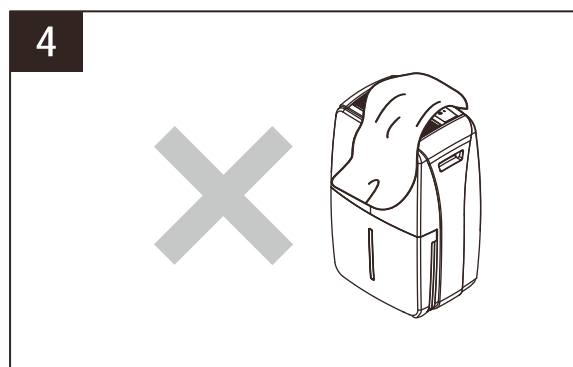
2. Close all windows to allow for the maximum possible efficiency or removal of moisture.



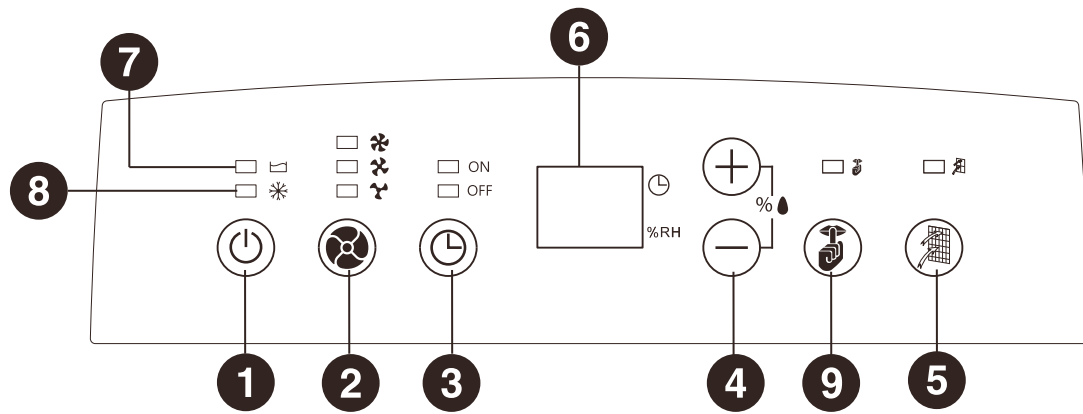
3. When moving or putting in storage, do not place the dehumidifier on its side or upside down and avoid shaking it. You may damage the unit.



4. Do not place anything on top of the air inlet or outlet as it will impact the units performance and may cause the unit to have a reduced life.



Features of the Control Panel:



1). POWER Button: On / Off

2). FAN SPEED Button: High/ Medium / Low

3). TIMER : Auto turn on / Auto turn off

4). HUMIDITY Setting

5). Filter Timer

After 250 hours of operation, the indicator light will glow to remind you to clean the filter. Remove the filter and clean it. Press to turn off the light. See air filter cleaning steps in the care and cleaning section.

6). HUMIDITY AND TIMER DISPLAY

7). BUCKET FULL LIGHT: When the water bucket is full, the bucket full light illuminate.

8). DEFROST LIGHT: When the temperatures are low, the unit enters the defrost mode and the defrost light illuminates.

9). Quiet Mode Button: Press to switch the unit to operate in low noise level.

USING YOUR DEHUMIDIFIER

⚠ WARNING



Electrical Shock Hazard

Plug into a grounded 3 prong outlet.

Do not remove ground prong.

Do not use an adapter.

Do not use an extension cord.

Failure to follow these instructions can result in death, fire, or electrical shock.

Turning the Dehumidifier ON or OFF

When you first plug in the dehumidifier, it will beep once and the display will show the current temperature and relative humidity level.



Press POWER to turn the dehumidifier ON or OFF.

IMPORTANT:

- If you turn off the dehumidifier, wait at least 3 minutes before turning it back on.
- Do not try to operate your dehumidifier if the temperature in the room is below 41°F (5°C) or above 95°F (35°C).

NOTE: In the event of a power failure, your dehumidifier will operate at the previous settings when the power is restored.

Display

During normal operation, display will show the current room humidity level.

When the "+", "-", or TIMER buttons are pressed, the unit will display the set humidity or delay time.



Selecting the Fan Speed

The Fan Speed has 3 settings:

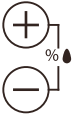
- HIGH
- MIDDLE
- LOW



Press the SPEED button until the indicator light for the desired setting is lit.

Selecting the Humidity Level

When unit is operating, it displays the current room humidity. Press "+" or "-" buttons to select humidity setting. The humidity is adjusted in increments of 5% by each press. Adjustable range 30% RH to 90% RH. 10 seconds after setting humidity, the display will change back to the current room humidity. 30% is dryer, 50% is normal and 90% is more moisture.



When the unit is first connected to the electrical outlet, the display will not light up until the "on/off" button is pressed. When the "on/off" button is pressed, the dehumidifier will start under the default setting of 30% RH. Each time you turn off and unplug the dehumidifier, the dehumidifier will return to the default setting when it is connected to the electrical outlet to start operation.

Using the Timer

The TIMER MODE: This unit can automatically turn on/off depending on your humidity(%RH) setting. The Timer mode allows you to turn the unit OFF or On at a time you desire.



When unit is operating, it displays the current room humidity. Press the TIMER button to set the unit to turn off automatically, as per the below timer settings table.

Timer "off" light will be on, 5 seconds after displaying the timer, the display will change back to current humidity and confirm the set timer.

When unit is off, press the TIMER button to set the unit to turn on automatically, as per the below timer settings table. Timer "on" light will be on, 5 seconds after displaying the timer, the display will display to turn on time and confirm the set timer.

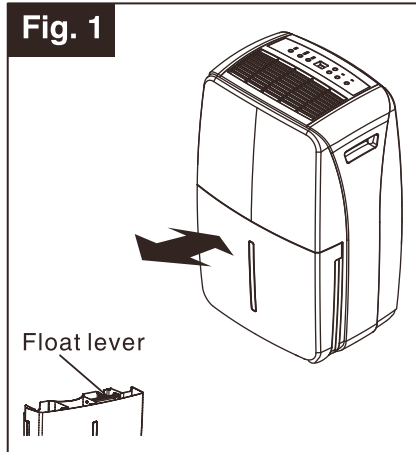
TIMER SETTING TABLE: → → →

Defrost Indicator

If the dehumidifier operates for an extended time in low temperatures, ice may form on the cooling coils. ❄
If this happens, the DEFROST indicator will come on, the dehumidifier compressor will turn off, and the fan will run until the accumulated ice has melted.

Water Bucket Set Up and Use

Make sure the water bucket is correctly located. After switching on the machine for the first time, if the "Bucket Full" light illuminates, pull out the water bucket and check that the float lever is able to move freely, then return the water bucket to the correct position (Fig. 1).



Make sure the water bucket is correctly located

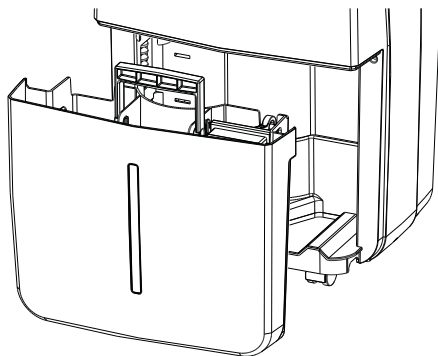
Proper installation of the water bucket is crucial in maintaining reliable dehumidifier operation. The water bucket holds accumulated condensed water and, by means of a safety switch, controls both the water level and operation of the dehumidification process. When the water bucket is full and/or accidentally displaced inside the cabinet, the float switch actuator (inside the bucket) breaks contact with the safety switch. This condition results in the immediate shut down of the compressor and fan motor system, preventing moisture from being condensed.

NOTE: Never tamper with the water level float switch system, you will damage its ability to operate properly.

Water Full Indicator Light (Red)

When the water bucket is full or incorrectly positioned the water full indicator light will turn red and the fan and compressor will turn off. When the water bucket is emptied or repositioned the dehumidifier will resume operation."

NOTE: To prevent dropping the bucket when full of water use the carry handle.



⚠️ WARNING

Sickness Hazard

**Do not drink water collected in water bucket.
Doing so can result in sickness.**

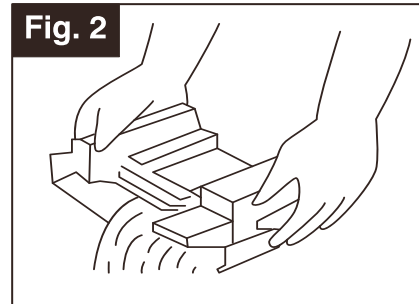
Bucket Full Light

When the water bucket is full the dehumidifier will stop running and the bucket light will illuminate.

The water bucket should be carefully removed from the dehumidifier by sliding it outward from the front of the unit and it should be emptied. Please use both hands to carefully empty the water bucket.(Figure 2)

When the empty bucket is replaced properly in the dehumidifier, the unit will start up and run normally.

NOTE: To prevent dropping the bucket when full of water use the carry handle.



Air Filter

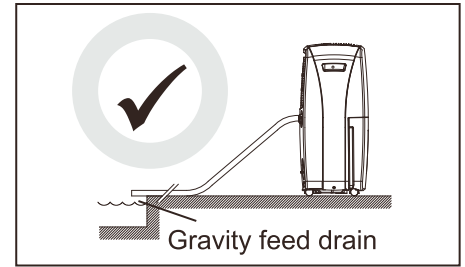
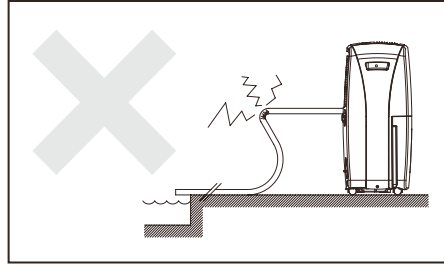
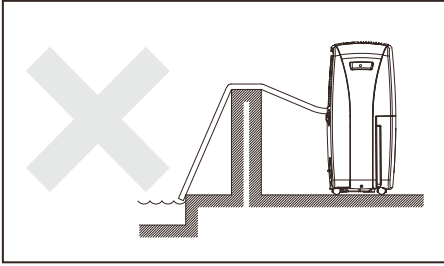
This dehumidifier features a removable air filter. This filter is located at the back of the unit (behind the air intake grille) directly above the water bucket compartment. A blocked / clogged air filter reduces air intake, impacting negatively on operating efficiency.

After 250 hours of operation, the indicator light will glow to remind you to clean the filter. Remove the filter and clean it. Press to turn off the light.

See " AIR FILTER CLEANING STEPS " .

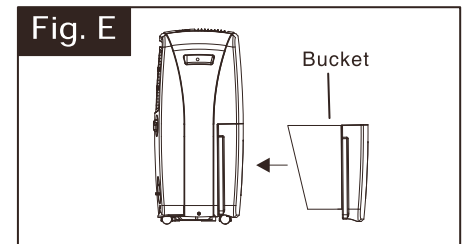
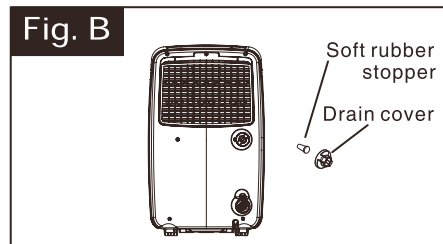
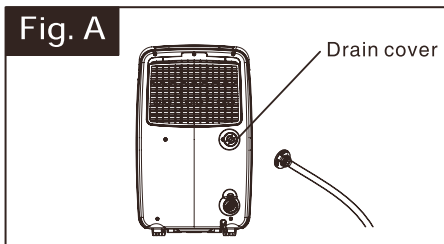
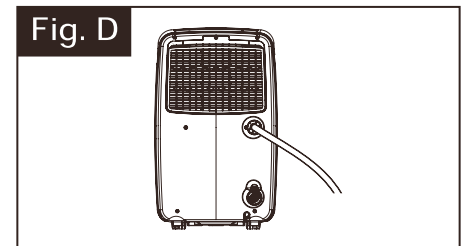
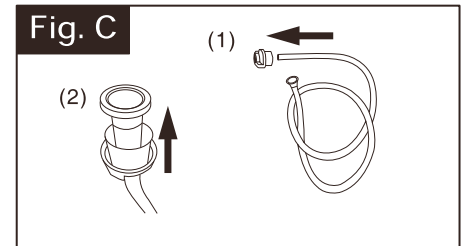
NOTE: For best performance, do not operate the dehumidifier without the filter in place.

Optional water drain connection methods



Continuous drain hose connection (optional)

1. To save having to periodically empty the water bucket, this unit can be configured for continuous drain. You can use a direct drain hose to connect to the continuous drain connector.
2. Unscrew and remove the drain cover at the rear of the unit (Fig.A).
3. Remove the soft rubber stopper and place it in the water bucket for safe keeping (Fig. B).
4. Put the direct drain hose through the drain cover.(Fig. C).
5. Connect the direct drain hose to the drain port (Fig. D).
6. Tighten the direct drain hose in a clockwise direction onto the rear of the unit (Fig. D).
7. Place the bucket in its original location (Fig. E).
8. Place the other end of the direct drain hose to your floor drain.



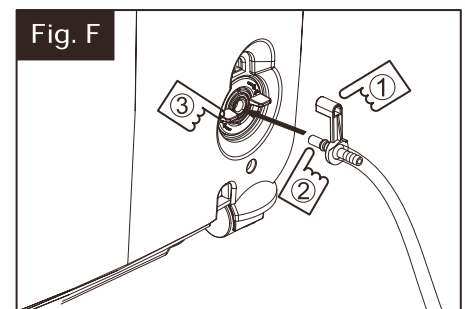
Dehumidifier Drain pump (optional)

The dehumidifier drain pump system allows drainage in areas where no floor drain is available. The pump will pump water vertically up to 16 ft. , allowing drainage to a sink or out a window opening.

- (1) Insert the drain pump hose fitting into the drain pump connector on the back of the dehumidifier (Fig. F). Press in on fitting until it snaps into position.

- (2) Place the other end of the drain pump hose in an above-ground drain such as a laundry tub or kitchen sink. Secure the drain end of the hose in place with a zip tie (not included) or heavy tape (not included) to reduce the risk of spills.

To remove the drain hose, turn the knob (#3) clock wise 45 degrees while pulling the drain hose fitting. The hose connector will pop away from the drain pump connector.



Normal Operating Sounds

When your dehumidifier is operating normally, you may hear sounds such as:

- Droplets of water hitting the condenser, causing a pinging or clicking sound. The water droplets help cool the condenser.
- Air movement from the fan.
- Clicks from the humidistat cycle.
- A high-pitched hum or pulsating noise caused by the modern high-efficiency compressor cycling on and off.

TROUBLESHOOTING

Before calling for service, try the suggestions below to see whether you can solve your problem without outside help.

Dehumidifier Will Not Run

- Is the dehumidifier turned on?
Turn on the dehumidifier.

⚠ WARNING



Electrical Shock Hazard

Plug into a grounded 3 prong outlet.

Do not remove ground prong.

Do not use an adapter.

Do not use an extension cord.

Failure to follow these instructions can result in death, fire, or electrical shock.

- Is the power cord plugged into a grounded 3-prong outlet?
Plug into a grounded 3-prong outlet.
See Electrical Requirements.
- Has a household fuse blown or has a circuit breaker tripped?
Replace the fuse or reset the circuit breaker. If the problem continues, call an electrician.
See “Electrical Requirements.”
- Is the bucket installed properly?
Reinstall the bucket so that it fits all the way into the dehumidifier.
- Does the bucket need to be emptied?
Empty the bucket.
- Is the water level float in place?
Remove the bucket. Make sure the float is snapped in place. Reinstall the bucket.

Ice Forms On Coils

- All models have an automatic de-icer that will shut off the compressor and allow the fan to run.
This reduces the ice build-up on coils.
The compressor will cycle back on when the de-icer senses the correct operating temperature.

Dehumidifier Seems To Run Too Much

- The dehumidifier is in a room with very high humidity levels, or is too small for the room.

Dehumidifier Runs Does Not Dehumidify

- All models have an automatic de-icer that will shut off the compressor and allow the fan to run.
When the de-icer senses the correct operating temperature, the compressor will cycle back on.
- Is the unit set to lowest humidity level (RH=30%)?
If you have selected the lowest humidity level (RH=30%), the dehumidifier will run continuously. If the humidity level is below 30% little or no water will be collected.
- The air filter is dirty or obstructed by debris.
Clean the air filter.

Air Coming From Dehumidifier is Warm

- Dehumidifier will put out warm air under normal operating conditions.

Dehumidifier Displays Error Code

- displays E1 , E2 ...
If the dehumidifier displays an error code in the display, the unit will still work, but you need to contact customer service.
- Customer service contact information can be found on the warranty page.

Pump System Does Not Work

- Does the pump indicator flash?
 1. Check and make sure the drain hose is correctly connect to the unit.
 2. Press the POWER button to turn off the unit. Restart the unit by pressing POWER button again.

Dehumidifier blows fuses or trips circuit breakers

- Dehumidifier blows fuses or trips circuit breakers
Too many appliances are being used on the same circuit. Unplug or relocate appliances that share the same circuit. Time-delay fuse or circuit breaker of the wrong capacity is being used.
- Replace with a time-delay fuse or circuit breaker of the correct capacity. See “Electrical Requirements.”
- You are trying to restart the dehumidifier too soon after turning off the dehumidifier. Wait at least 3 minutes after turning off the dehumidifier before trying to restart the dehumidifier.

NOTE: A damaged power supply cord must be replaced with a new power supply cord obtained from the product manufacturer and must not be repaired.

For additional help, contact customer service. Customer service contact information can be found on the warranty page.

CARE AND CLEANING

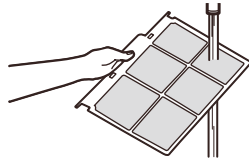
Your new dehumidifier is designed to give you many years of dependable service. This section tells you how to clean and care for your dehumidifier properly.

Cleaning the Filter

The filter is removable for easy cleaning. A clean filter helps remove dust, lint, and other particles from the air and is important for best operating efficiency. Check the filter every 2 weeks to see whether it needs cleaning.

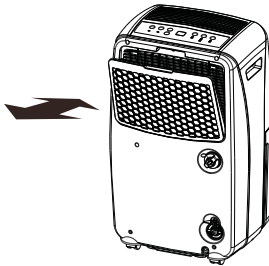
NOTE: For best performance, do not operate the dehumidifier without the filter in place.

Rinse the filter under the faucet or vacuum the filter to remove the accumulated dust and lint. If the filter is very dirty, wash it in warm water with a mild detergent.



NOTE: Do not wash the filter in the dishwasher or use any chemical cleaners; it may damage the filter. Air dry the filter completely before replacing to ensure maximum efficiency.

Remove the filter



Cleaning the Dehumidifier Cabinet

1. Turn off the dehumidifier.
2. Wipe the Dehumidifier Cabinet with a soft, damp cloth.
3. Wipe dry with soft cloth.

Cleaning the Water Bucket

The water bucket should be cleaned every few weeks to prevent mold and mildew growth.

1. Remove the water bucket.
2. Wash the bucket with a mixture of warm water and a mild detergent.
3. Rinse well, then reinstall water bucket.

⚠ WARNING

Excessive Weight Hazard

Use two or more people to move and install dehumidifier.

Failure to do so can result in back or other injury.

Storing the Dehumidifier

If the dehumidifier will not be used for an extended period of time, prepare it for storage with the following steps.

1. Turn off the dehumidifier and unplug it.
2. Empty the bucket.
3. Remove, clean, and reinstall the filter.

SPECIFICATIONS

Model	WDH70EAPW
Voltage/Frequency	115 VAC/60Hz
Current/Amperage	7.9A
Dehumidification Capacity (pints/24hrs)	70 pints
Bucket Capacity	14 pints
Timer	12-hour
Dimensions W x H x D	14.6 in. x24 in. x10.75 in. 371mm x610mm x273mm
Weight	45 lbs 20.4 kg
For best performance this unit should operate between:	41°F-89°F (30%-80%RH)
Fuse rating (type)	T3.15AL 250V (3N or 30T)

WARRANTY

LIMITED APPLIANCE WARRANTY

Rich Achiever Inc. warrants this quality product to be free from manufacturer's defects in material and workmanship, provided that the unit is used under the normal operating conditions intended by the manufacturer. This warranty is available only to the person to whom the unit was originally sold by manufacturer or by an authorized distributor of manufacturer, and is non-transferable.

TERMS OF WARRANTY

Plastic parts, are warranted for thirty (30) days only from purchase date, with no extensions provided.

First 12Months:

During the first twelve (12) months, any functional parts of this product found to be defective, will be repaired or replaced, at Rich Achiever Inc's option, at no charge to the ORIGINAL purchaser.

To obtain service: Call [1-855-900-1298](tel:1-855-900-1298) or RETURN TO THE STORE WHERE PURCHASED FOR REPLACEMENT.

EXCLUSIONS

Save as herein provided by manufacturer, there are no other warranties, conditions, representations or guarantees, express or implied, made or intended by manufacturer or its authorized distributors and all other warranties, conditions, representations or guarantees, including any warranties, conditions, representations or guarantees under any Sale of Goods Act or like legislation or statute is hereby expressly excluded. Save as herein provided, manufacturer shall not be responsible for any damages to persons or property, including the unit itself, howsoever caused or any consequential damages arising from the malfunction of the unit and by the purchase of the unit, the purchaser does hereby agree to indemnify and hold harmless manufacturer from any claim for damages to persons or property caused by the unit.

As some states do not allow the limitation or exclusion of incidental or consequential damages, or do not allow limitation on implied warranties, the above limitations and exclusions may not apply to you. This warranty gives you specific legal rights, and you may also have other rights that vary from state to state.

GENERAL PROVISIONS

No warranty or insurance herein contained or set out shall apply when damage or repair is caused by any of the following:

- 1) Power failure.
- 2) Damage in transit or when moving the appliance.
- 3) Improper power supply such as low voltage, defective house wiring or inadequate fuses.
- 4) Accident, alteration, abuse or misuse of the appliance such as inadequate air circulation in the room or abnormal operating conditions (extremely high or low room temperature).
- 5) Use for commercial or industrial purposes (ie. If the appliance is not installed in a domestic residence).
- 6) Fire, water damage, theft, war, riot, hostility, acts of God such as hurricanes, floods, etc.
- 7) Service calls resulting in customer education.
- 8) Improper Installation (ie. Building-in of a free standing appliance or using an appliance outdoors that is not approved for outdoor application).

Proof of purchase date will be required for warranty claims; so, please retain bills of sale.

If you need further assistance, you can write with any questions or concerns to:

Rich Achiever Inc.
Customer Service
PO Box 8702,
Wilmington, DE 19899
e-mail: aeonair@bigtech.ca

®/TM ©2016 Whirlpool. All rights reserved. Manufactured under license by Rich Achiever Ins., LLC, New Jersey. Limited warranty provided by the manufacturer.